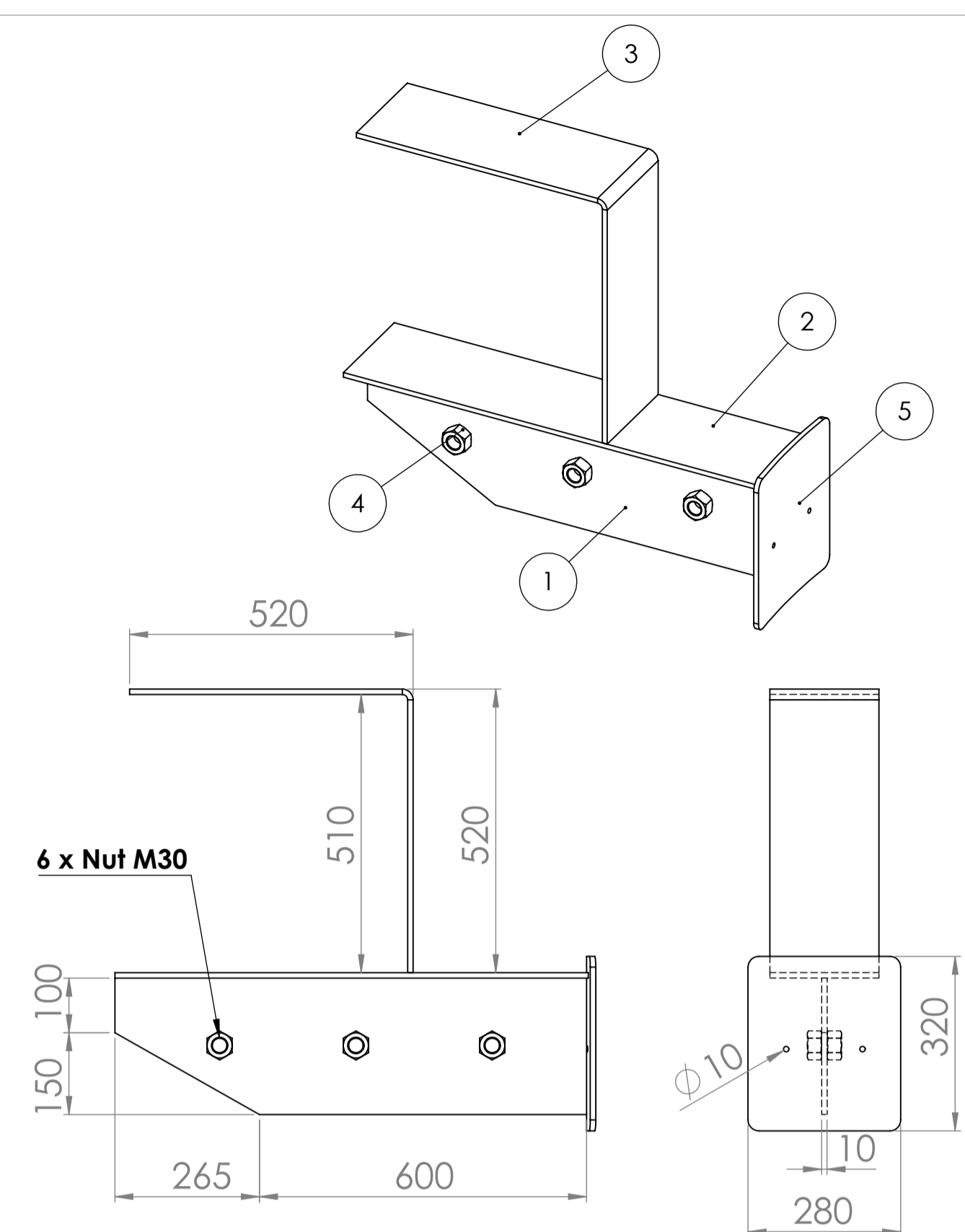
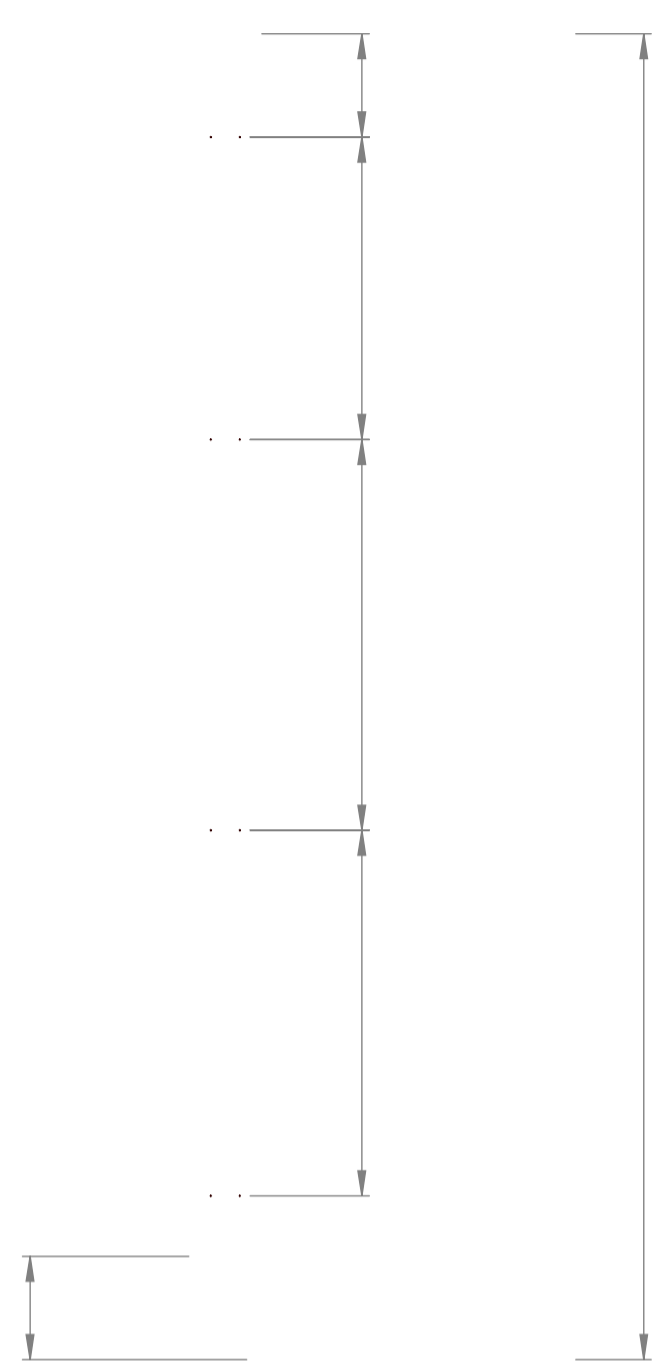
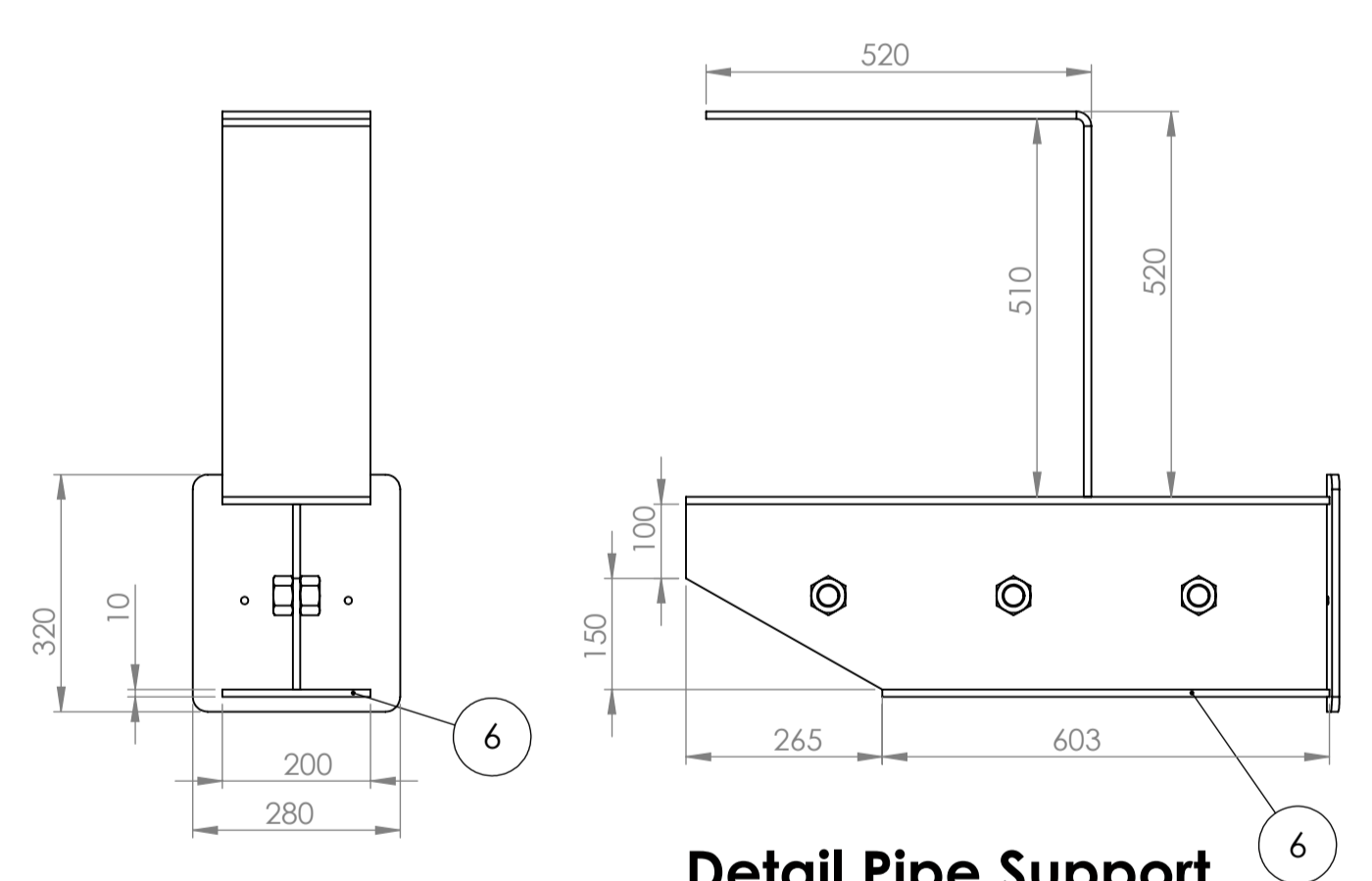


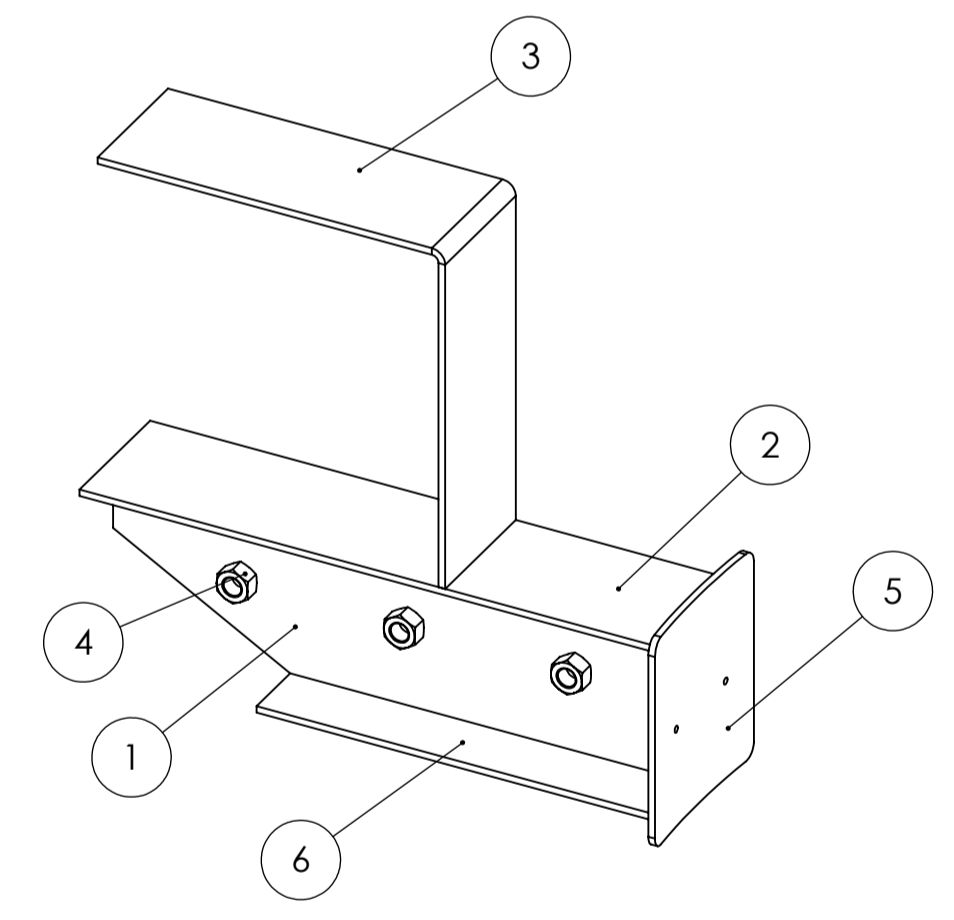
This Document is Sadaf Chemical Co. Property and cannot be used by others for any purpose without prior written consent



**Detail Pipe Support
For Point 1,2,4,5,6**



**Detail Pipe Support
FOR POINT 3**



ردیف 3 از این جدول مورد نظر می باشد.

PIPE SUPPORT

ITEM NO.	DESCRIPTION	MATERIAL	Weight	QTY.
1	Plate 865x250x10	SA 240-304	16	6x1
2	Plate 870x200x10	SA 240-304	14	6x1
3	Bend Plate	SA 240-304		
4	Nut M30	SA 194-8	0	6x6
5	Plate 320x280x10	SA 240-304	7	6x1
6	EXTRA PLATE	SA 240-304	9	1

UNIT WEIGHT = 55 kg
TOTAL WEIGHT FOR 6 SET = 330 kg

REV	Date	Modification	Drawn by:	Checked by:	Approved by:
04	14/01/2024	ISSUED FOR APPROVAL	M.GH.	M.S.	M.S.
03	10/10/2023	ISSUED FOR APPROVAL	M.GH.	M.S.	M.S.
02	22/08/2023	ISSUED FOR APPROVAL	M.GH.	M.S.	M.S.
01	08/07/2023	ISSUED FOR APPROVAL	M.GH.	M.S.	M.S.
00	07/05/2023	ISSUED FOR APPROVAL	M.GH.	M.S.	M.S.

OWNER:

CONTRACTOR:

PROJECT: **SADAF ESRB PLANT**

DRAWING TITLE: **EXTERNAL/INTERNAL ATTACHMENT DRAWING FOR V-1803**

Status of DWG: **IFA**

VENDOR:

MR N°: **ESBR-ME-MRQ-V-0004**

Sheet N°: **4 OF 5**

P.O. N°: **ESBR-PQ-POR-V-0124**

SIZE: **A1**

PROJECT DWG. N°: **ESBR-ME-DWG-VD-V-1803-004**

VENDOR DWG. N°: **FNK-9402-SAD-DW-1803-004**

Scale: **AS SHOWN**

Rev: **04**